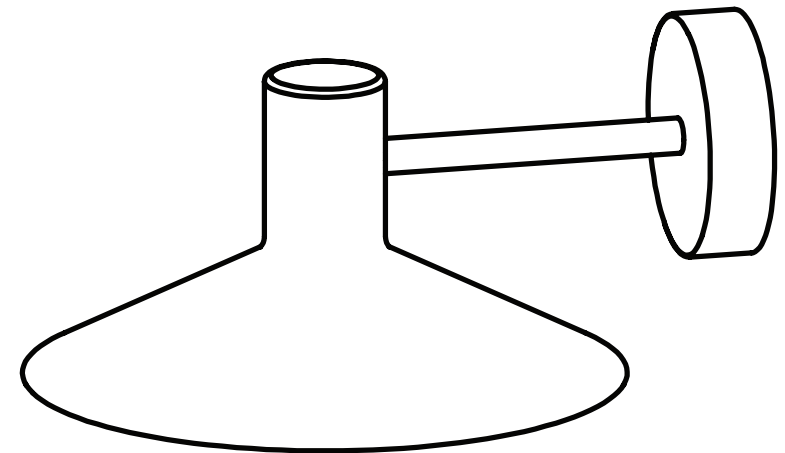


MINNEAPOLIS

DESIGN BY
FRIIS OG MOLTKE



Frandsen has been designing,
producing and marketing lamps
since 1968

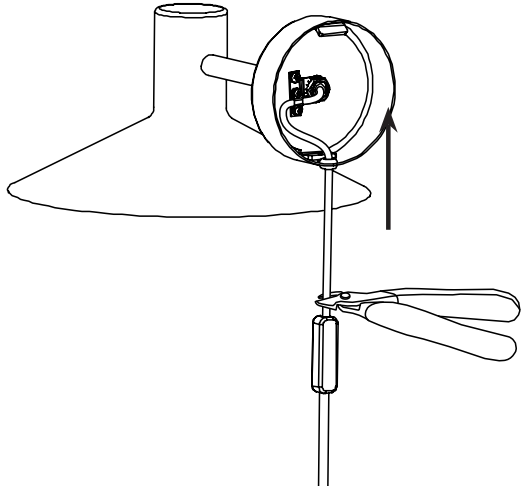
*"It is important for us to design
lamps in beautiful materials, and
to make sure that our products
are signalling quality and taste"*

FRANDSEN

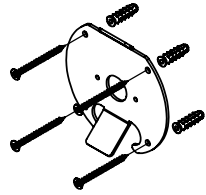
WWW.FRANDSEN.COM

Follow steps 1-4 below for hardwired mount

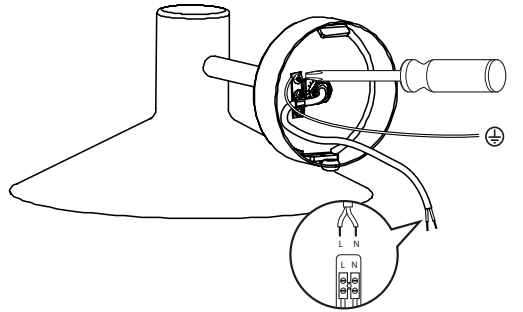
1



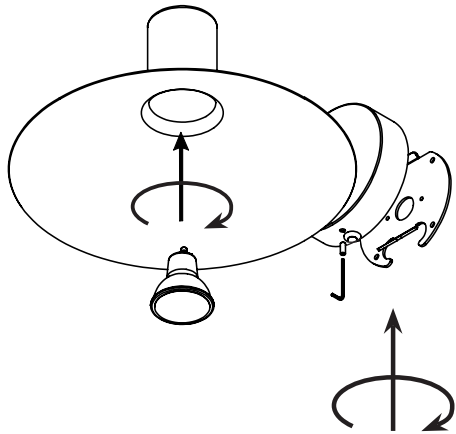
2



3

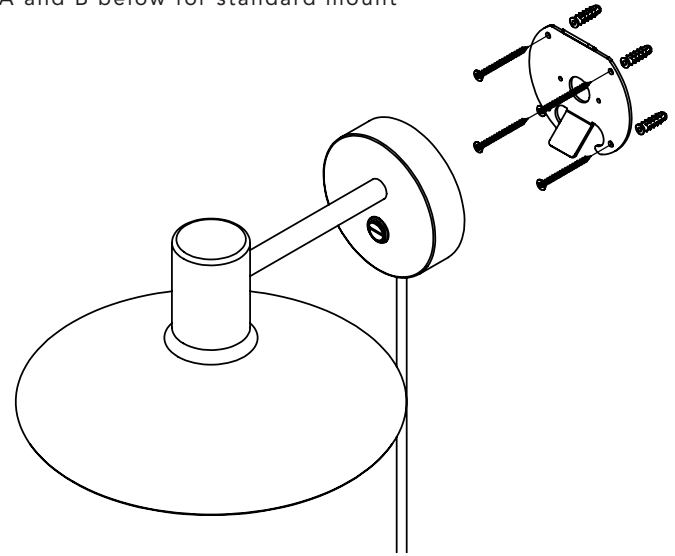


4

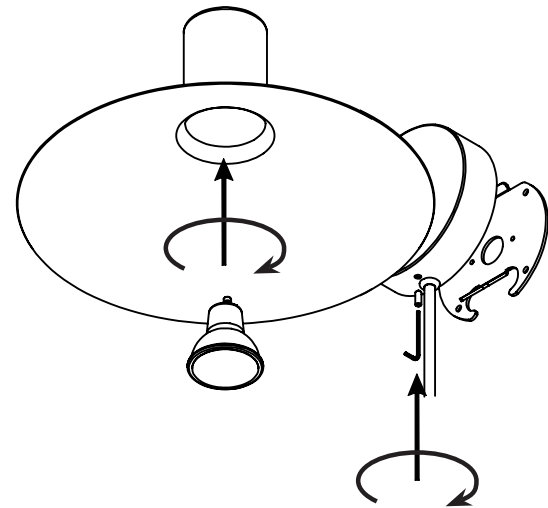


Follow steps A and B below for standard mount

A



B



IMPORTANT:The core with green/yellow insulation must only be connected to a terminal marked with \perp or \oplus .

If the external flexible cable or cord of this luminaire is damaged, it shall be exclusively replaced by the manufacturer or his service agent or a similar qualified person in order to avoid a hazard.