

# BENJAMIN

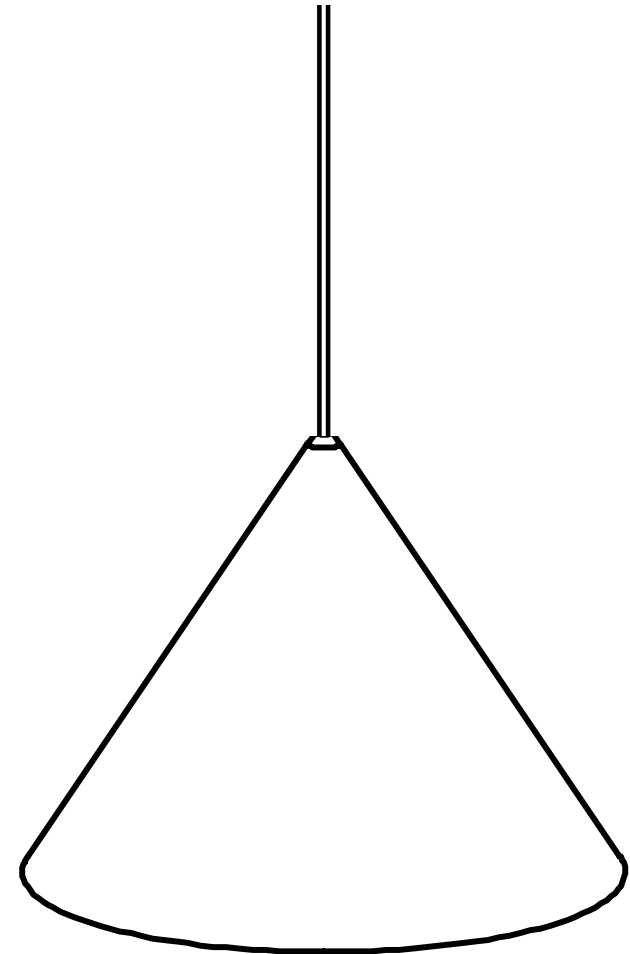
DESIGN BY  
BENNY FRANDSEN

Frandsen has been designing,  
producing and marketing lamps  
since 1968

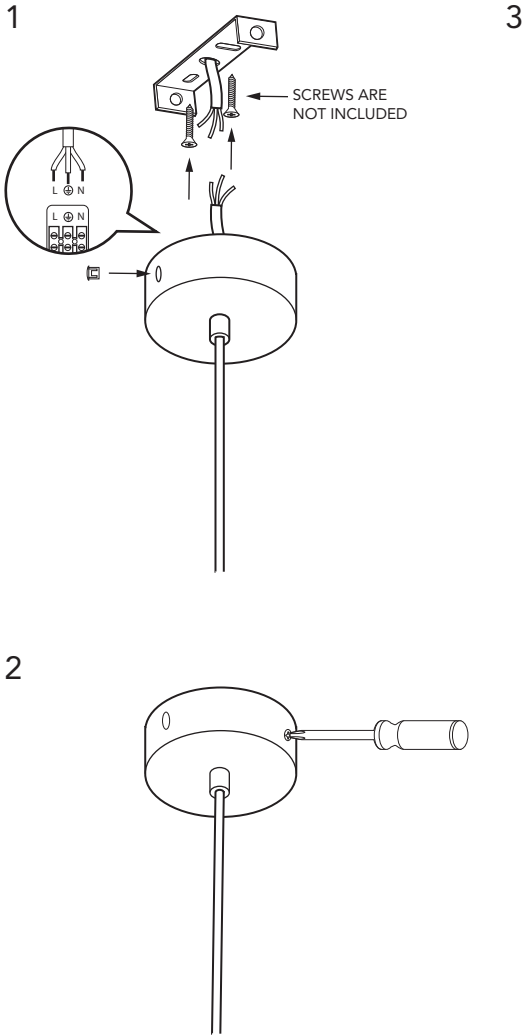
*"It is important for us to design  
lamps in beautiful materials, and  
to make sure that our products  
are signalling quality and taste"*

**FRANDSEN**

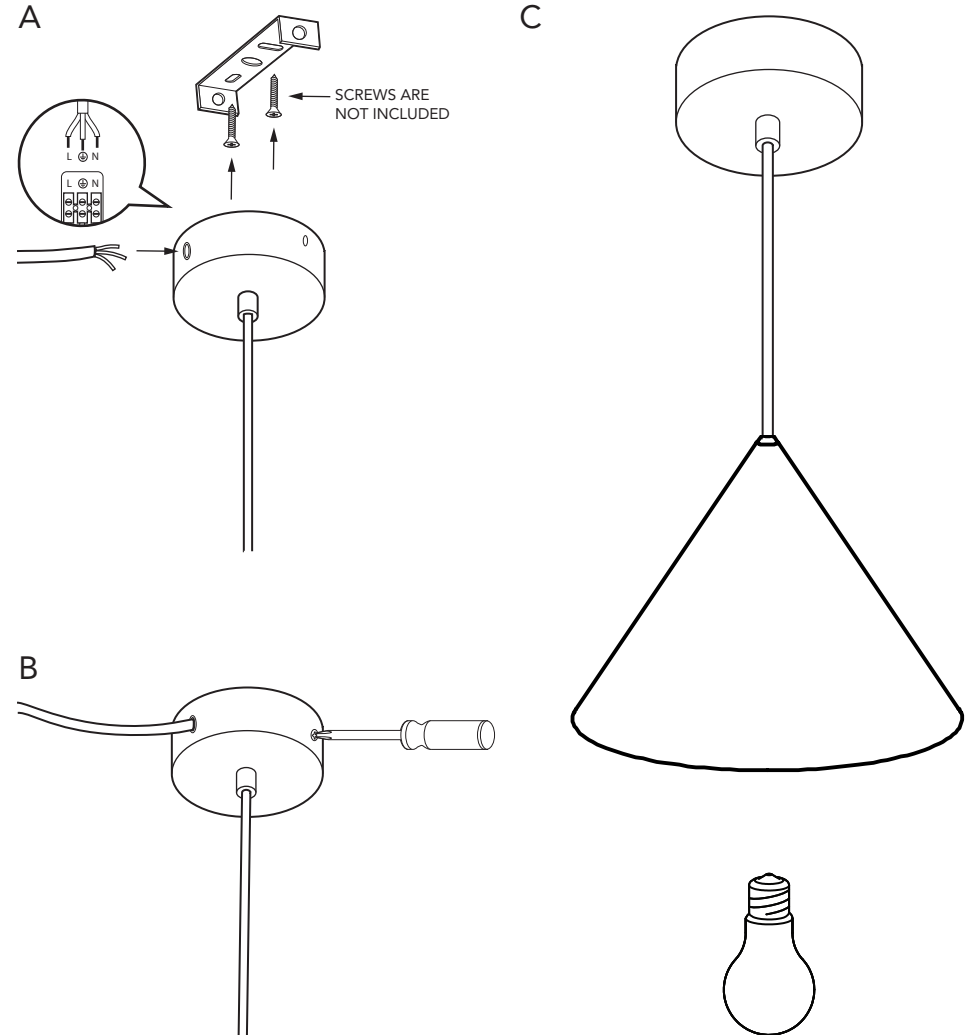
WWW.FRANDSEN.COM



Follow steps 1-3 below for hardwired mount



Follow steps A-C below for standard mount



If the external flexible cable or cord of this luminaire is damaged, it shall be exclusively replaced by the manufacturer or his service agent or a similar qualified person in order to avoid a hazard.