

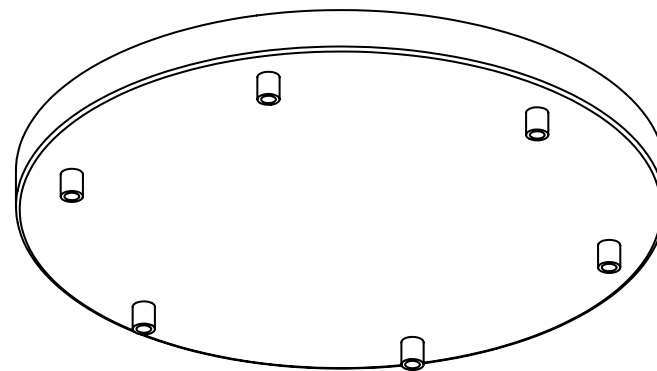
# CANOPY ø35cm

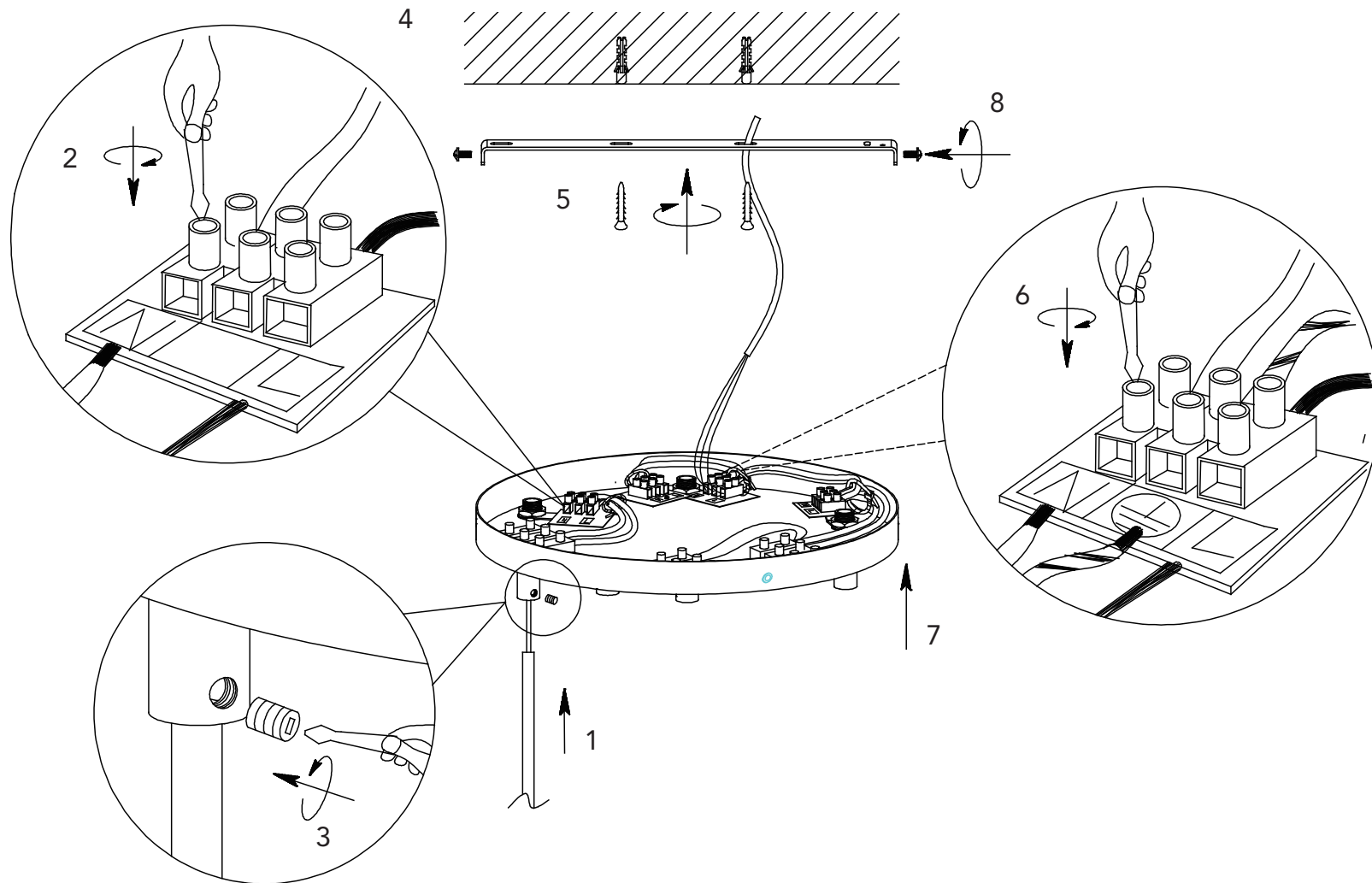
Frandsen has been designing,  
producing and marketing lamps  
since 1968

*"It is important for us to design  
lamps in beautiful materials, and  
to make sure that our products  
are signalling quality and taste"*

**FRANDSEN**

WWW.FRANDSEN.COM





If the external flexible cable or cord of this luminaire is damaged, it shall be exclusively replaced by the manufacturer or his service agent or a similar qualified person in order to avoid a hazard.

**MAX WEIGHT 13.8kg**