

BALL GLASS

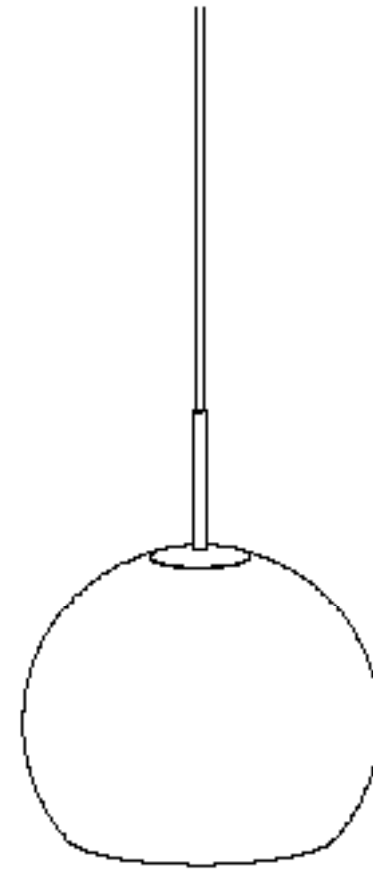
DESIGN BY
BENNY FRANDSEN

Frandsen has been designing,
producing and marketing lamps
since 1968

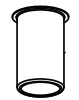
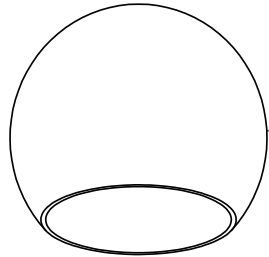
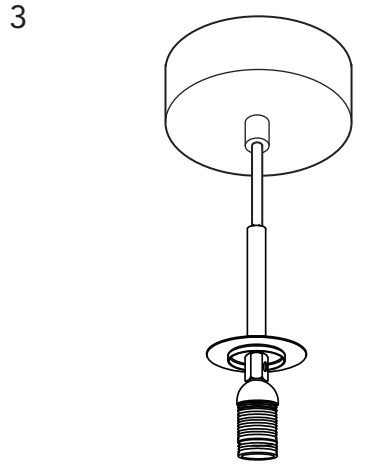
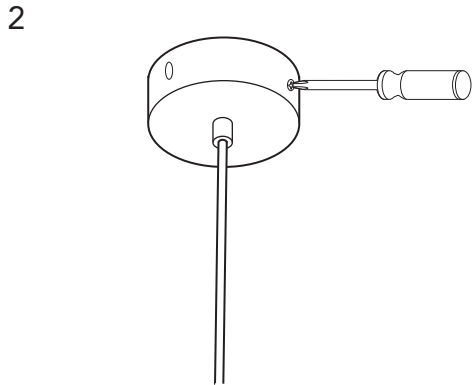
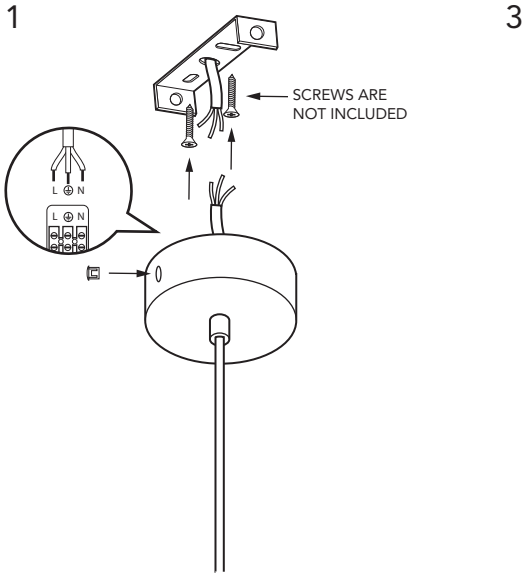
*"It is important for us to design
lamps in beautiful materials, and
to make sure that our products
are signalling quality and taste"*

FRANDSEN

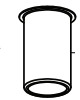
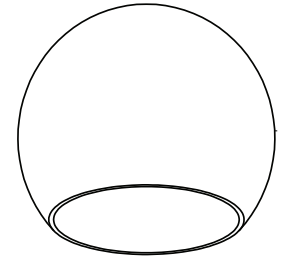
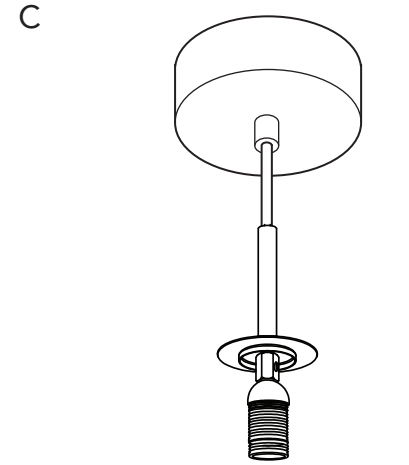
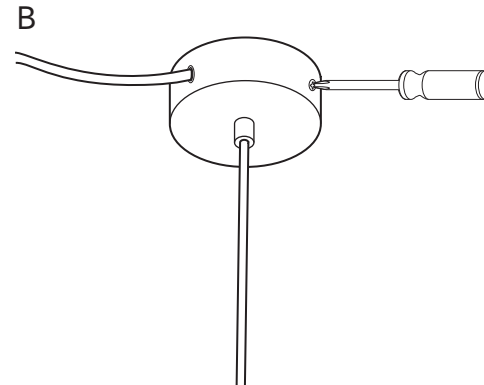
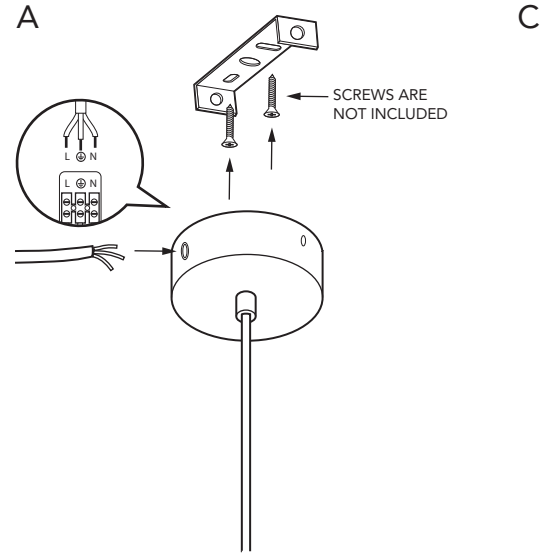
WWW.FRANDSEN.COM



Follow steps 1-3 below for hardwired mount



Follow steps A-C below for standard mount



If the external flexible cable or cord of this luminaire is damaged, it shall be exclusively replaced by the manufacturer or his service agent or a similar qualified person in order to avoid a hazard.