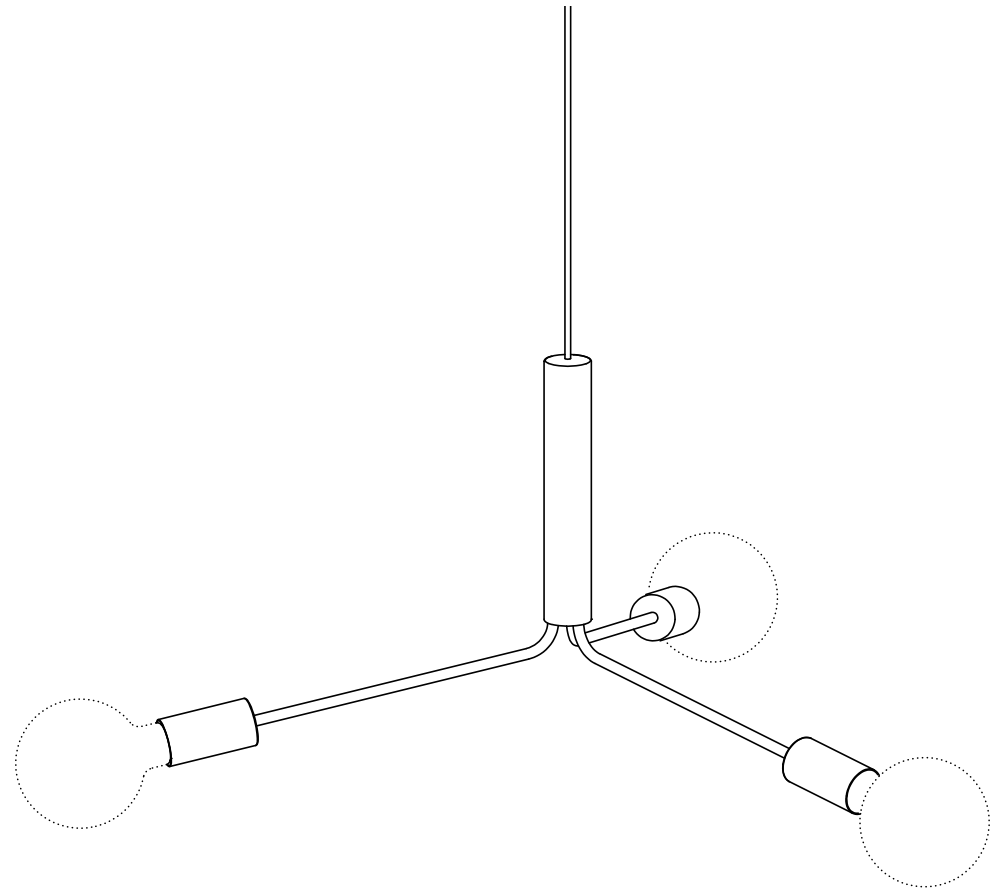


GRAND METRO

DESIGN BY
FRANSEN DESIGN STUDIO

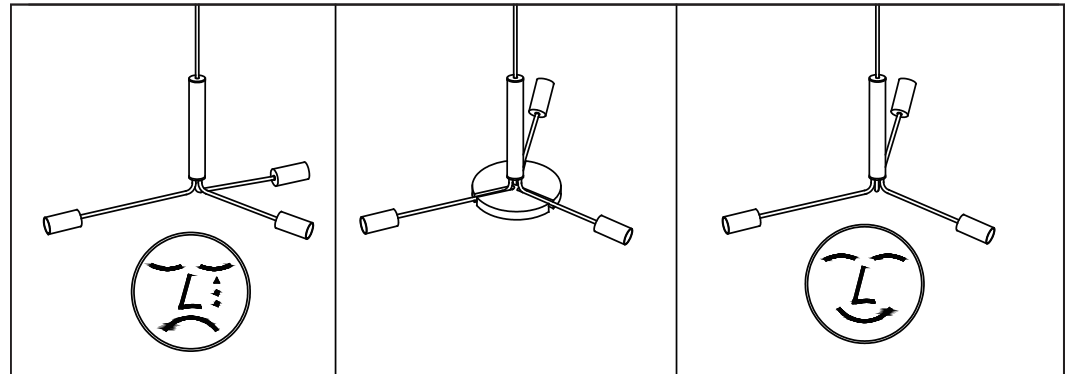
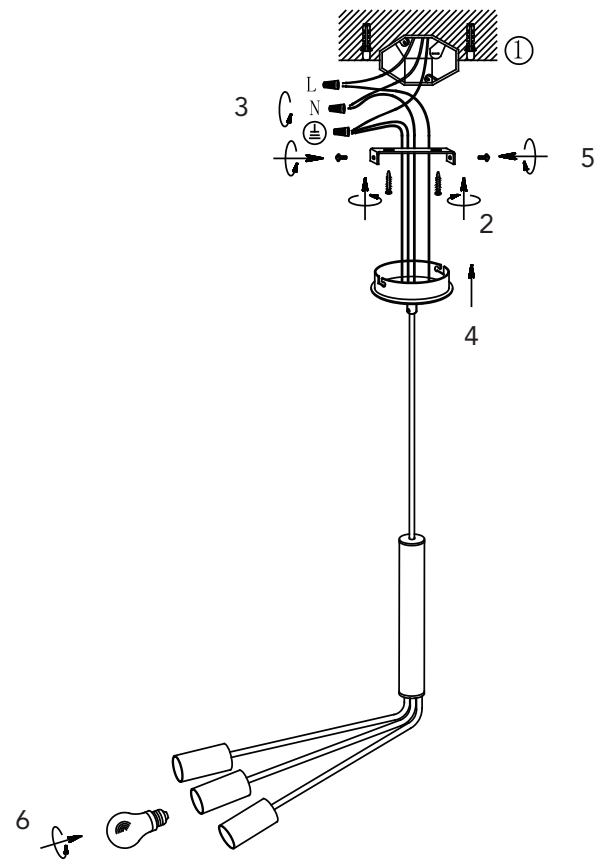


Frandsen has been designing,
producing and marketing lamps
since 1968

*"It is important for us to design
lamps in beautiful materials, and
to make sure that our products
are signalling quality and taste"*

FRANSEN

WWW.FRANSEN.COM



If the external flexible cable or cord of this luminaire is damaged, it shall be exclusively replaced by the manufacturer or his service agent or a similar qualified person in order to avoid a hazard.